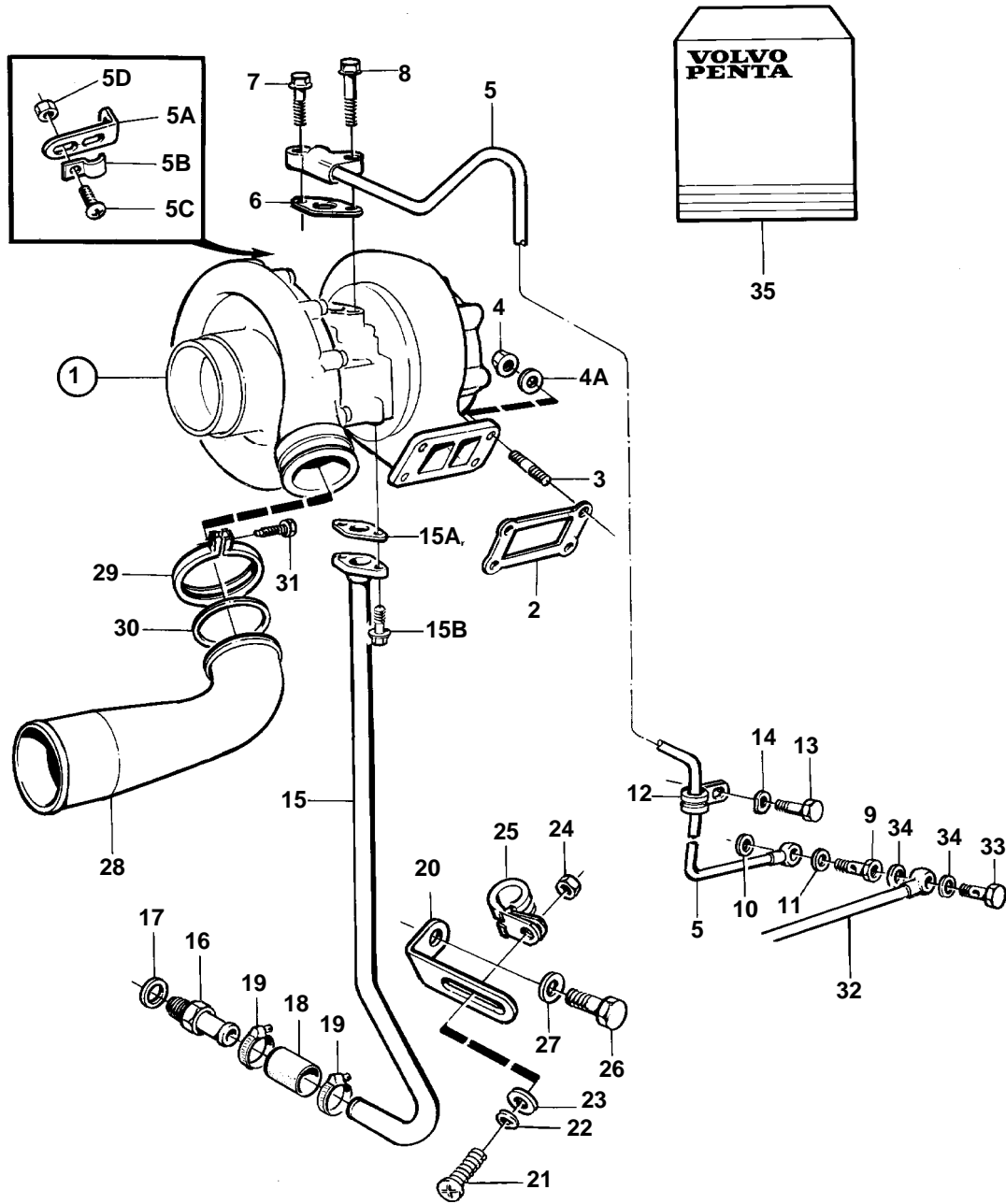


TAD1030GE, TAD1031GE



15304

TAD1030GE, TAD1031GE

REF	PART NO.	QTY	DESCRIPTION	SEE SEC.	NOTES
1	866144	1	Turbo		
	3802087	1	Turbocharger, exch, exch		
				5691	
2	8194365	1	Gasket		Included in gasket kit for connecting of turbocharger.
3	8194545	4	Stud		
4	8194568	4	Nut		
4A	940097	4	Washer		
5	849612	1	Oil feed pipe, cylinder block		
5A	965559	1	Bracket		
5B	968200	1	Clamp		
5C	950046	1	Screw		
5D	955825	1	Nut		
6	420641	1	Gasket		Included in gasket kit for connecting of turbocharger.
7	946173	1	Flange screw		L=20mm
8	945444	1	Flange screw		L=25mm
9	479464	1	Hollow screw		
10	942703	1	Gasket		Included in gasket kit for connecting of turbocharger.
11	11998	1	Gasket		Included in gasket kit for connecting of turbocharger.
12	952626	1	Clamp		
13	950045	1	Screw		
14	941906	1	Spring washer		
15	862712	1	Oil return pipe, oil drain		
15A	420643	1	Gasket		Included in gasket kit for connecting of turbocharger.
15B	945444	2	Flange screw		
16	941875	1	Nipple		
17	18677	1	Gasket		
18	466328	1	Rubber hose		
19	943474	2	Hose clamp		
20	965560	1	Bracket		
21	950046	1	Screw		
22	941906	1	Spring washer		
23	955893	1	Washer		
24	955825	1	Nut		
25	952632	1	Clamp		
26		1	Screw, fuel inj. pump bracket		
27		1	Washer, fuel inj. pump bracket		
28	865121	1	Connection pipe		
29	3183622	1	Clamp		
30	1542781	1	Sealing ring		
31	949335	1	Screw		
32	866721	1	Pipe, fuel inj. pump		
33	969299	1	Hollow screw		
34	11994	2	Gasket		
35	876354	1	Gasket kit, turbo connect.		